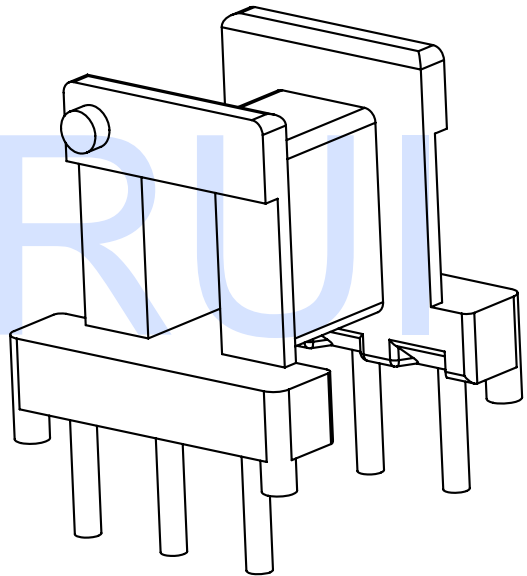
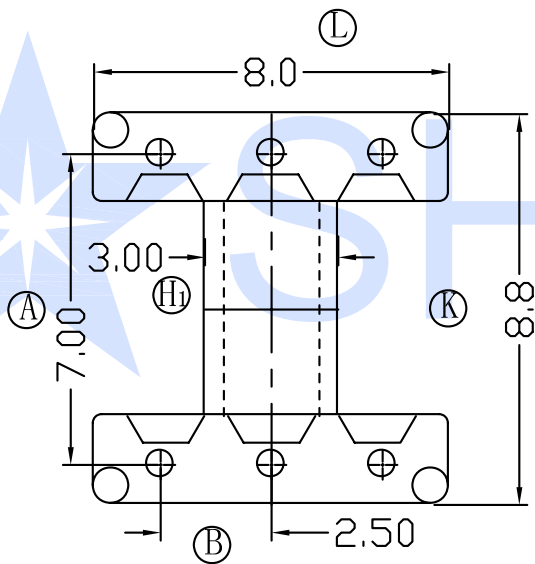
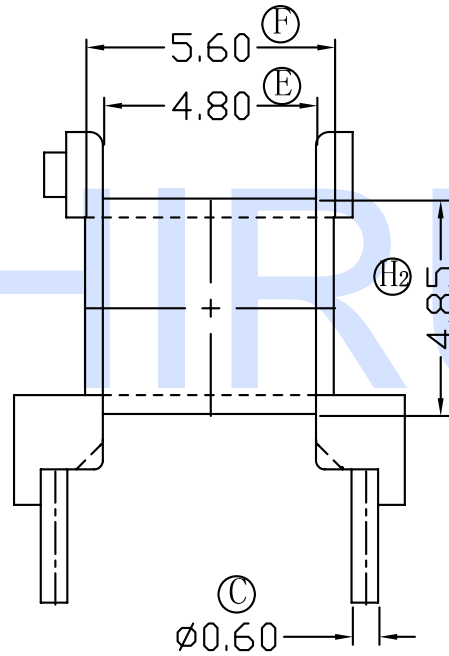
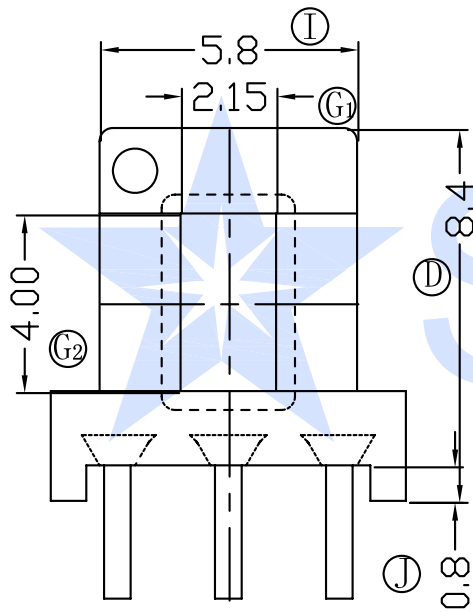


P/N

SR-EE 0803



**Hefei Shirui Electronic Technology Co., Ltd**

TEL:(0086) 55165232650

sales@shiruitech.com

www.shiruitech.com

SR NO.

SR-EE 0803

MATERIAL:

PHENOLIC

UNIT: mm

TOLERANCE

DRN.

WILL H

MODEL NAME!

EE8.3-6P-1S H

UL REC: UL 94V-0

ANGLE:  $\pm$ °



SCALE 1:1

0 L 4  $\pm 0.10$

4 L 16  $\pm 0.20$

16 L 64  $\pm 0.30$

PIN PITCH  $\pm 0.05$

CHD.

IRINA LEE

ISSD.

JAMES HU